

INDOOR/OUTDOOR INFRARED HEATER

The Dimplex DSH series heaters are ideal for use in low lighting environments like restaurants and outdoor entertaining spaces. Reaching maximum heat in less than 3 seconds, this product provides premium comfort, while mirroring the quality of interior décor, outdoors.

BENEFITS

- IP65 rating for indoor and outdoor applications
- 1, 2 and 3 hour delay timer
- 8 hour auto shutoff safety mechanism
- 3 second maximum heat up time
- 3 temperature settings - 1000W [low], 1500W [med], 2000W [high]
- Corrosion resistant anodized aluminum and 304 stainless steel makes this product suitable for all climates
- Multiple heaters can be controlled with a single remote. Remote control included
- Each heater comes with the element pre-installed, which eases in installation and reduces the risk of damaged, broken or misplaced elements upon delivery

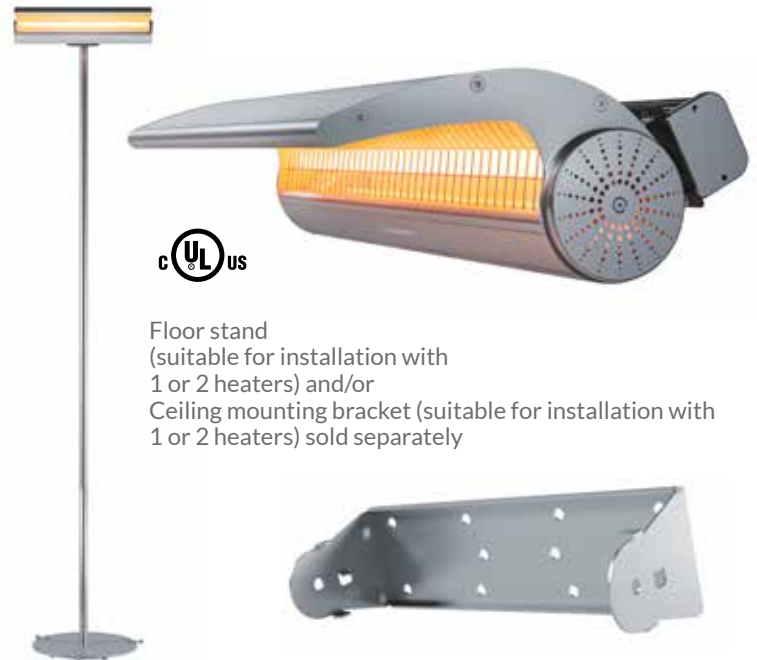
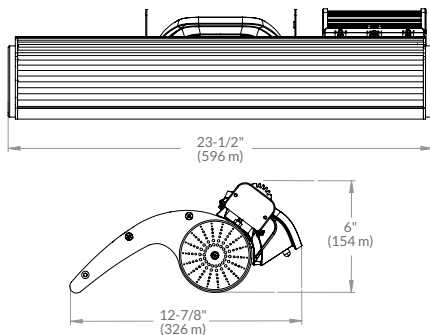
APPLICATIONS

Patios | Balconies | Outdoor Living Spaces | Sunroom | Gazebos | Common Areas

SPECIFICATIONS

Voltage	240V
Wattage	1000 - 2000
Color	Stainless Steel
Finish	Aluminum
Heating Element	Golden tube heating element
Construction	Stainless Steel (304)
Controls & Wiring	Hardwire installation only. Unit has an auto shut off feature after 8 hours of operation
Installation	Surface-mount brackets included for wall installations
Warranty	1-year replacement parts

DIMENSIONS



Floor stand (suitable for installation with 1 or 2 heaters) and/or Ceiling mounting bracket (suitable for installation with 1 or 2 heaters) sold separately

ORDERING GUIDE

Cat. No.	Installation	Watts	Volts	Weight (kg/lbs.)
DSH20W	Wall-mounted IR Heater	2000	240	5.3 / 11.7
DSHSTAND	Permanent Location Floor Stand			20.0 / 44.1
DSHCMB	Ceiling-mount bracket			2.2 / 4.8

